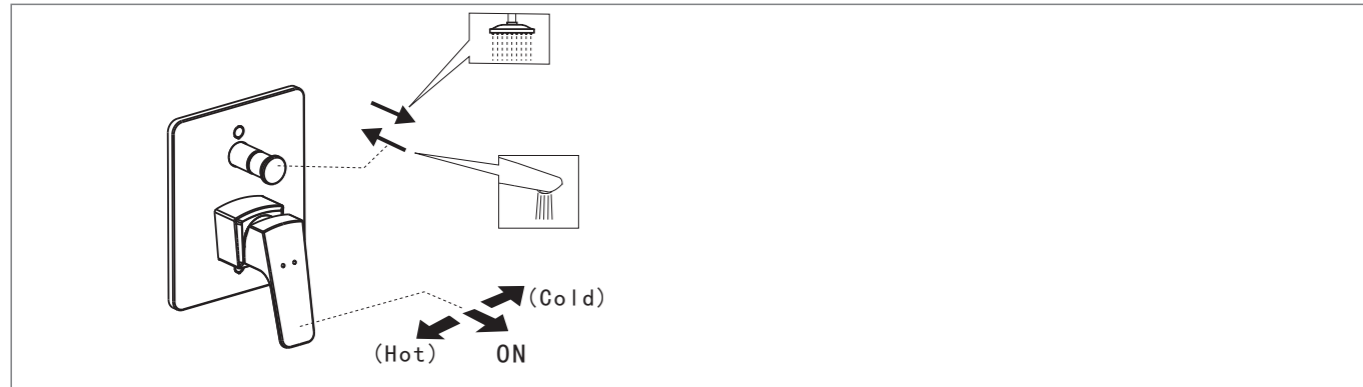


## Test / Usage

### 1 Test

- \* Move handle down into "OFF" position. Turn on supply angle valve to check all connections for leak.
- \* Operate handle up and down, left and right to flush water lines thoroughly.

### 2 Usage

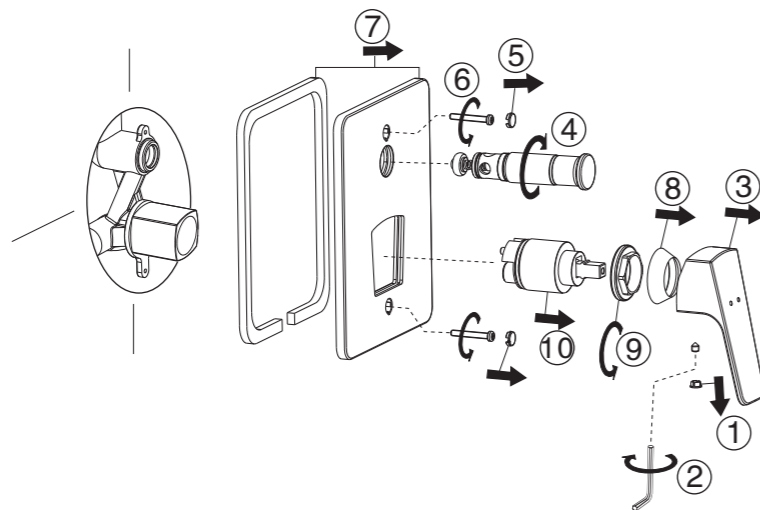


## Trouble Shooting Guide

| Trouble             | Checkpoint         | Contents  | Action   |
|---------------------|--------------------|---|--|
| Poor flow rate      | Aerator            | Check any impurities.                                 | Remove all impurities.                                     |
|                     | Water supply valve | Check valve position.                                 | Open it to full valve                                      |
|                     | Flexible hose      | Check if hose is twisted.                             | Untwist the hose.  |
| Leakage             | Cartridge packing  | Check cartridge install.                              | When packing is damaged, replace the cartridge.            |
|                     | Hose junction      | Check the connection.                                 | Check the existence of packing and wind it up sufficiently |
| Deviant Temperature | Supply Valve       | Check if the water from Supply valve is enough or not | Increase water supply                                      |
|                     | Supply system      | Check if the supply pipe connected correct or not     | Connect the hot and cold water pipe correctly              |

## Care & Maintenance

\* If you want to change the parts or clean the inner of faucet, please follow the steps in the above to remove the parts, then proceed the next steps.

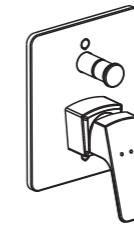


**Attention:**  
Please leave the manual with the customer after installation is finished.

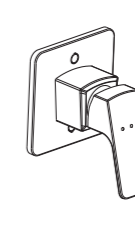
## CONCEPT SQUARE

WF-0421.609.50  
Concealed B&S Control Valve

WF-0422.709.50  
Concealed Shower Control Valve

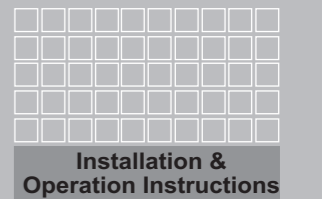


WF-0421.609.50



WF-0422.709.50

American Standard



Installation & Operation Instructions

**Thank you for selecting American-Standard - the benchmark of fine quality for over 100 years. To ensure that your installation proceeds smoothly--please read these instructions carefully before you begin.**

\* American Standard always keep raising and improving the product design and performance, and reserve the right to modify the dimension and specification. At this case, we will not inform you separately.

\* This installation instruction sheet is for your reference only, the dimension and specification is subject to the actual products.

All instruction procedures must comply in strict accordance with applicable local plumbing and building codes

## Pre-Installation Checks

- \* **Remove all impurity in pipes before beginning to avoid clogging. Connect faucet pipes correctly. Make sure the cold water hose is connected to the right side and the hot water hose to the left.**
- \* **Check installation distances in the Dimension diagram to ensure correct installation.**

### Conditions for use

- \* **Recommended water pressure condition: 0.1~0.5Mpa.**
- \* **Environment Temperature:1~55°C**
- \* **Steam is not allowed to use.**
- \* **The cold and hot water pipes must not be reserved.**

**When in the process of installation, grab the whole body. Do not grab handle only.**

## Recommended Tools and Materials



Adjustable Wrench



Level



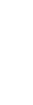
Screwdriver



Tape Measure



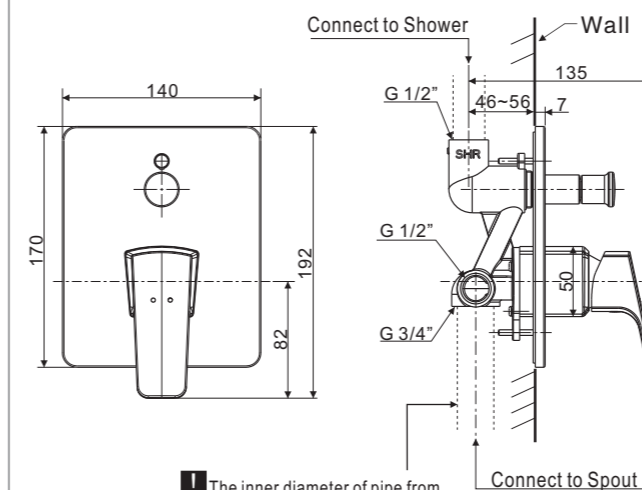
windtight swathe



Pencil

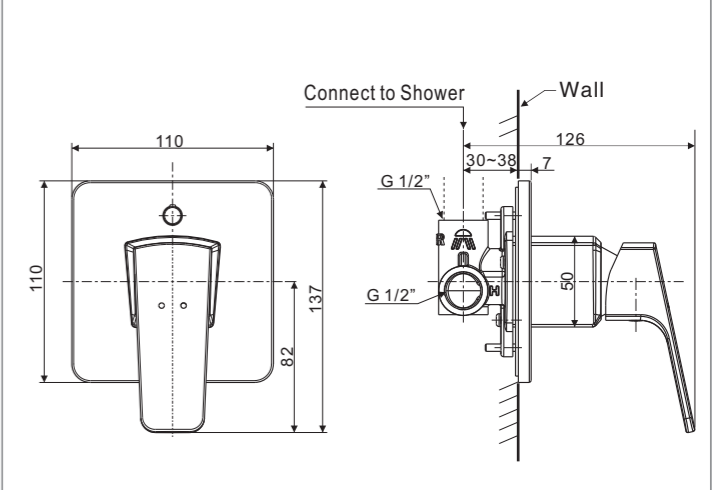
## Dimension

(WF-0421.609.50)



! The inner diameter of pipe from body to spout (including connector) need to be more than 13mm

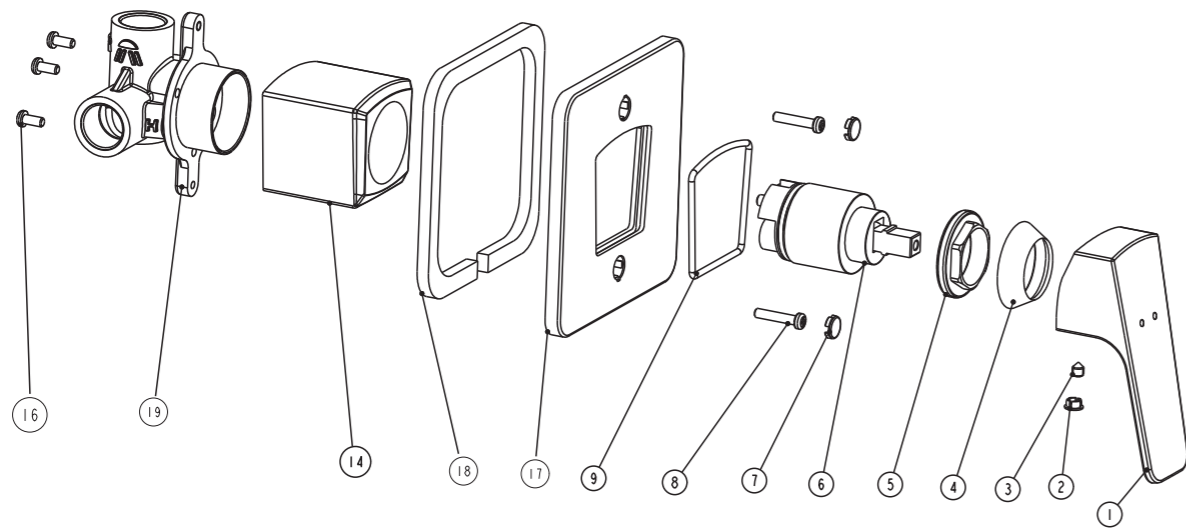
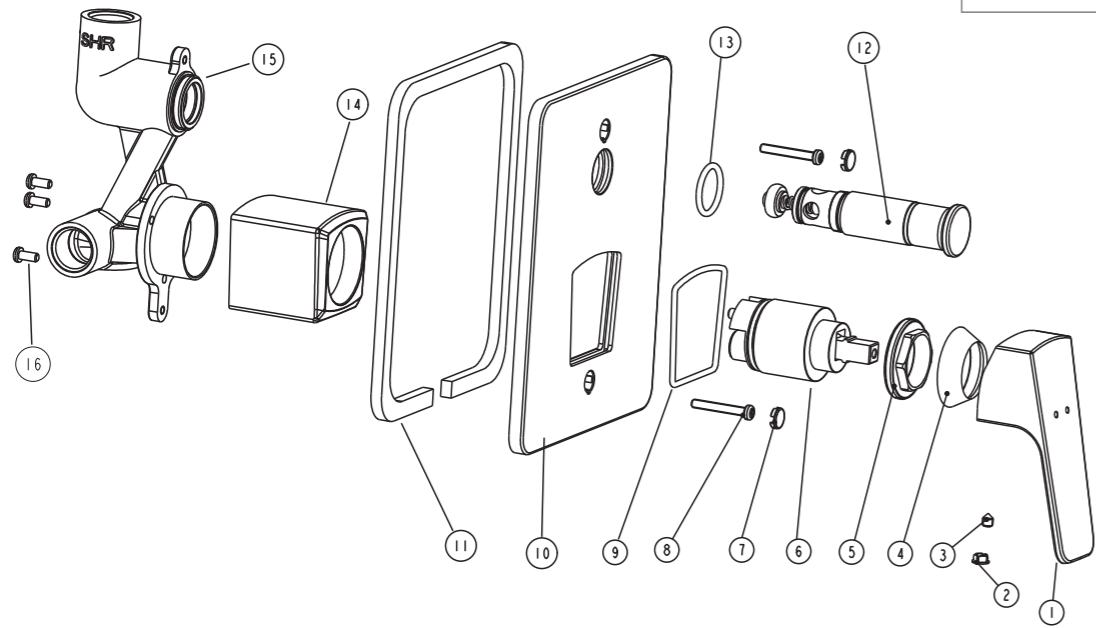
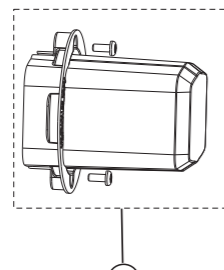
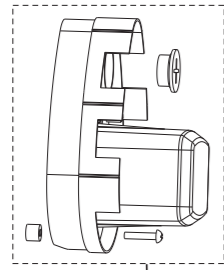
(WF-0422.709.50)



## Parts List

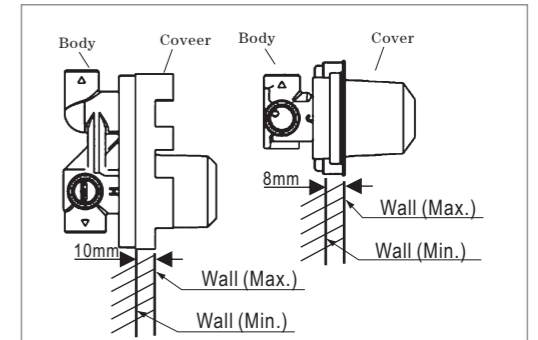
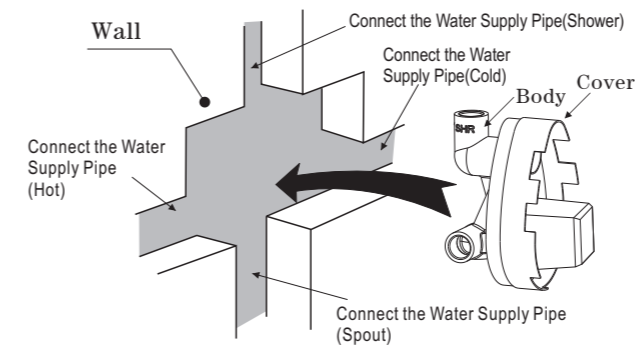
### Parts List

| No.               | Part Name           | Q'ty |
|-------------------|---------------------|------|
| WF-0421 / WF-0422 |                     |      |
| 1                 | Handle              | 1 1  |
| 2                 | Index Button        | 1 1  |
| 3                 | Screw               | 1 1  |
| 4                 | Cap                 | 1 1  |
| 5                 | Nut                 | 1 1  |
| 6                 | Cartridge           | 1 1  |
| 7                 | Cap                 | 2 2  |
| 8                 | Screw               | 2 2  |
| 9                 | O-Ring              | 1 1  |
| 10                | Escutcheon ( 0421 ) | 1 0  |
| 11                | Washer ( 0421 )     | 1 0  |
| 12                | Diverter Valve      | 1 0  |
| 13                | O-Ring              | 1 0  |
| 14                | Pipe                | 1 1  |
| 15                | Body ( 0421 )       | 1 0  |
| 16                | Screw               | 3 3  |
| 17                | Escutcheon ( 0422 ) | 0 1  |
| 18                | Washer ( 0422 )     | 0 1  |
| 19                | Body ( 0422 )       | 0 1  |
| 20                | Cover ( 0421 )      | 1 0  |
| 21                | Cover ( 0422 )      | 0 1  |
| 22                | In-hex Wrench       | 1 1  |



## Installation

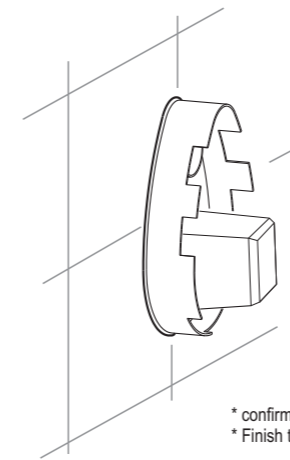
### 1 Installing the Body



\* Finishing wall should be between the minimum and the maximum.

\* Consult the dimension drawing and lay the pipes.  
\* Before installation, Wash and clean the water supply pipes.

### 2 Finishing the Wall



### 3 Installing the Escutcheon & Handle

