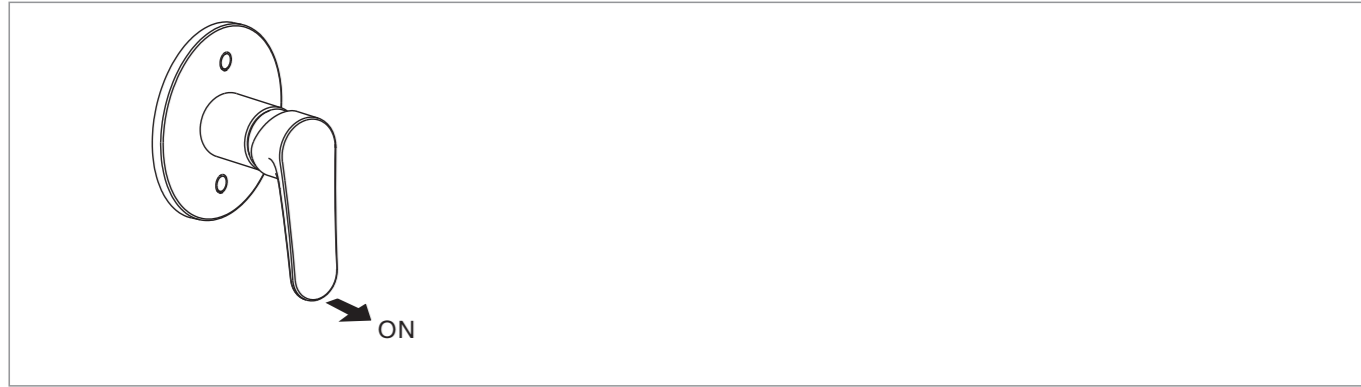


Test / Usage

1 Test

- * Turn handle to "OFF" position. Open water supply valve to check all connections for leakage;
- * Turn handle to "ON" position. Check the water flow .

2 Usage



Trouble Shooting Guide

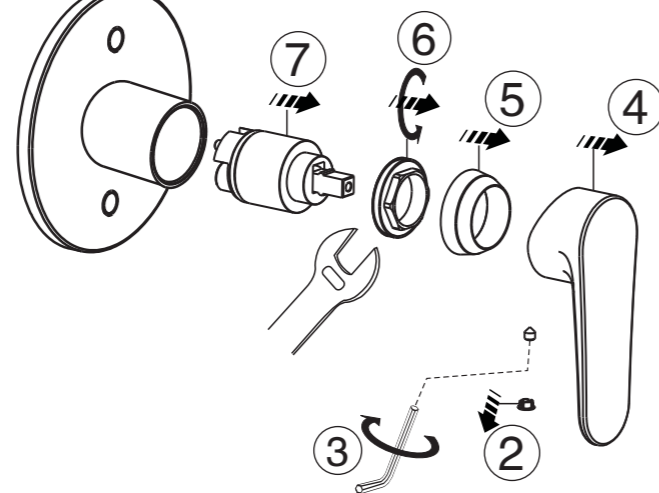
Trouble	Checkpoint	Contents	Action
Poor flow rate	Spout or Shower	Check any impurities.	Remove all impurities.
	Water Supply valve	Check water supply valve open position.	Open water supply valve to increase flowrate
Leakage	Cartridge	Check cartridge packing.	When packing is damaged, replace the cartridge.

Care & Maintenance

* If you want to do the maintenance for the faucet, please follow the below process.

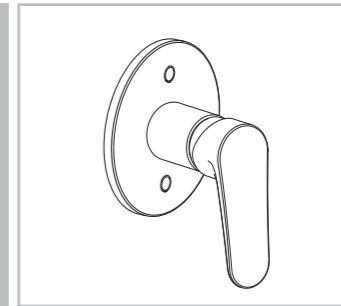
①

1. Close the Water Supply System



Attention:
Please Leave the manual with the customer
after installation is finished.

FFASB236-709500BF0
Codie Concealed Mono Shower Mixing Valve



American Standard

Installation &
Operation Instructions

Thank you for selecting American-Standard - the benchmark of fine quality for over 100 years.
To ensure that your installation proceeds smoothly--please read these instructions carefully before you begin.

- * American Standard always keep raising and improving the product design and performance, and reserve the right to modify the dimension and specification. At this case, we will not inform you separately.
- * This installation instruction sheet is for your reference only, the dimension and specification is subject to the actual products.

All instruction procedures must comply in strict accordance with applicable local plumbing and building codes

Pre-Installation Checks

- *Remove all impurity in pipes in order to avoid clogging before installation.
- *Check installation dimensions in order to install it correctly.

Conditions for usage

- * Recommended water pressure: 0.1~0.5Mpa.
- * Environment Temperature:1~55°C
- * Steam is not allowed.

During installation of the faucet, Please grab the body. Do not grab handle only.

Recommended Tools and Materials



Adjustable Wrench



Level



Tape Measure



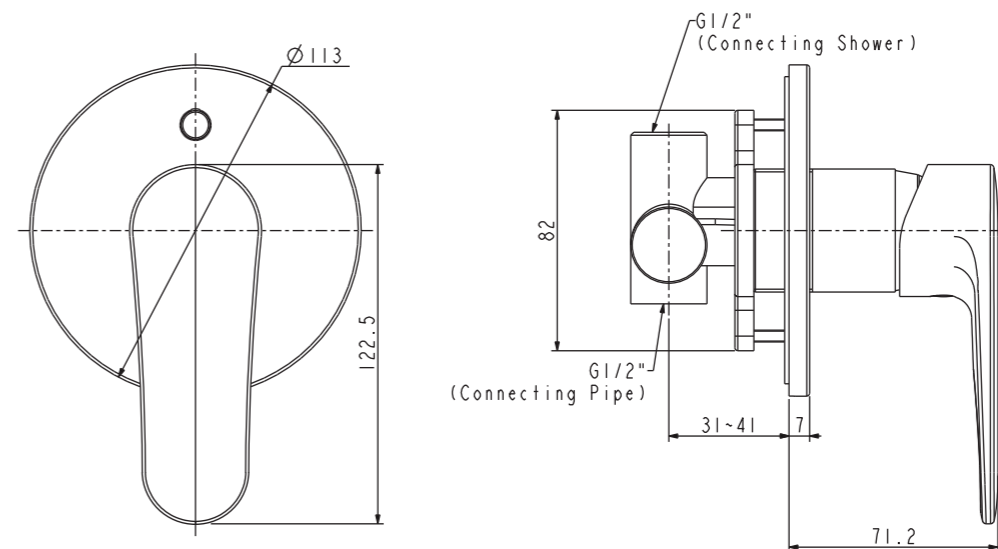
Windtight Swathe



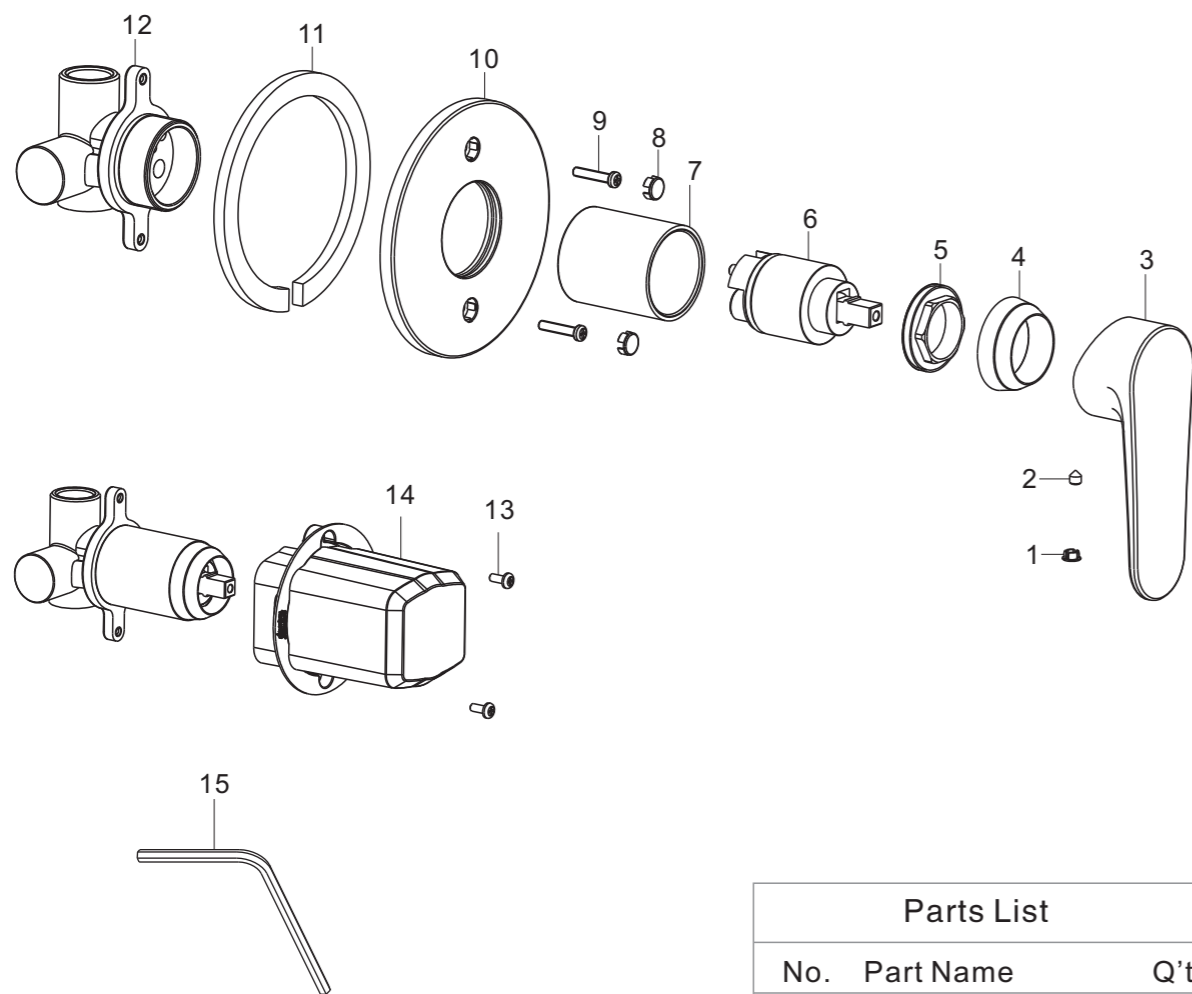
Pencil

Dimension

Unit: mm



Parts List



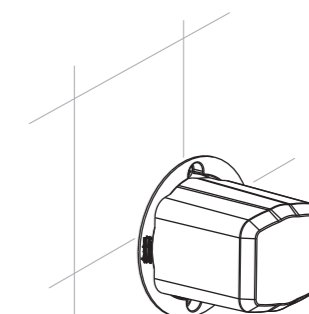
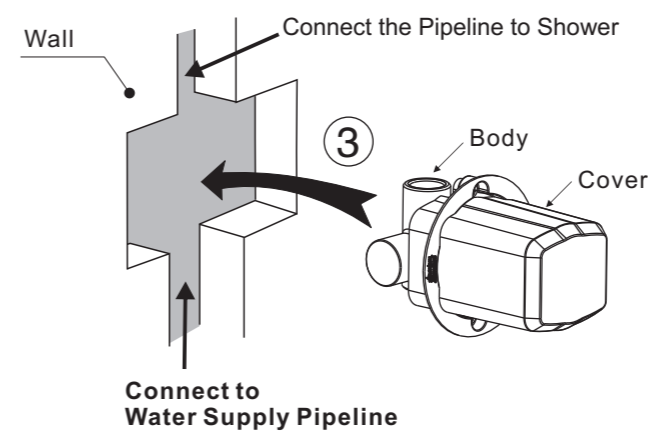
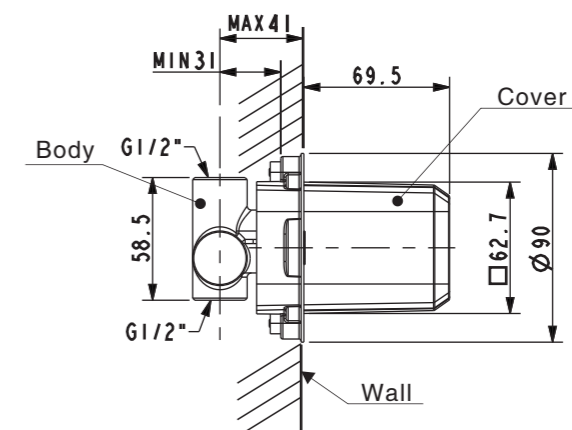
Parts List		
No.	Part Name	Q'ty
1	Index Button	1
2	Screw	1
3	Handle	1
4	Cap	1
5	Nut	1
6	Cartridge	1
7	Pipe	1
8	Index Button	2
9	Screw	2
10	Escutcheon	1
11	Washer	1
12	Body	1
13	Screw	2
14	Cover	1
15	In-hex Wrench	1

Installation

1 Installing the Body

- 1 * Check the dimension drawing and layout the pipes.
* Before installation, Wash and clean the water supply pipes.

- 2 * Finish wall should be between the minimum and the maximum



- 4 * Check if there is leakage in every connection.
* Finish the Wall

2 Installing the Escutcheon & Handle

