

CLOSE-COUPLED TOILET

American Standard

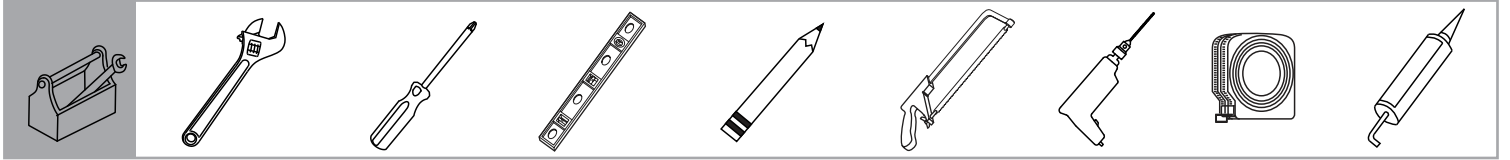
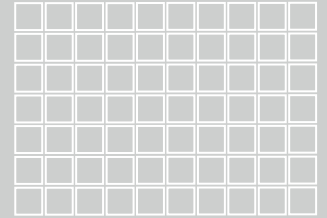
WINSTON II

TF-2695 Front trip (Single flush)

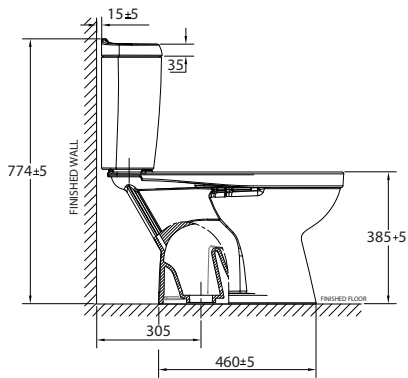
TF-2696 Top push (Single flush)

TF-2696 Top push (Dual Flush)

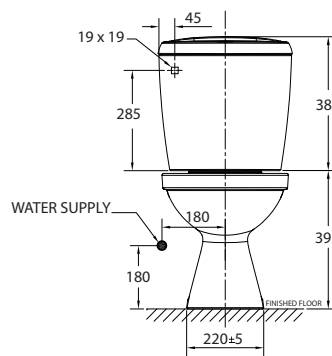
Installation Manual



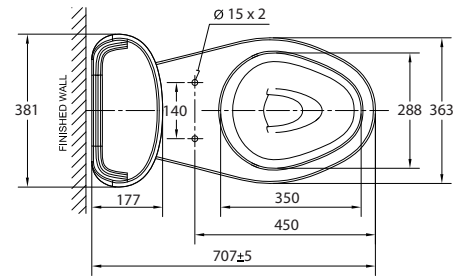
TF-2695



SIDE VIWE

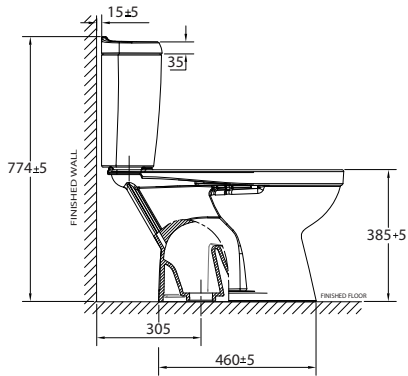


FRONT VIEW

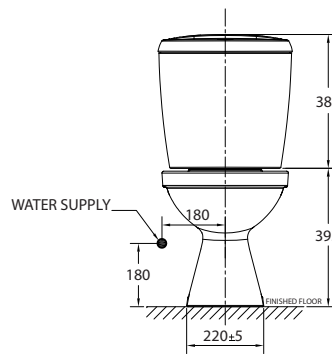


TOP VIEW

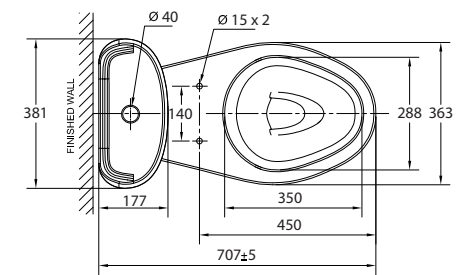
TF-2696



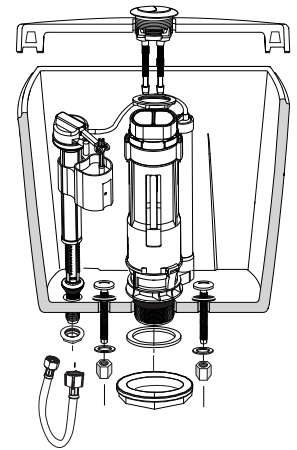
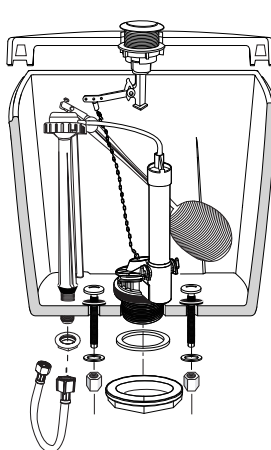
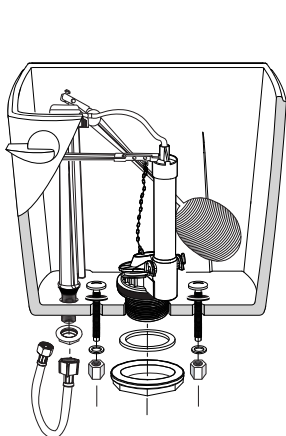
SIDE VIWE



FRONT VIEW

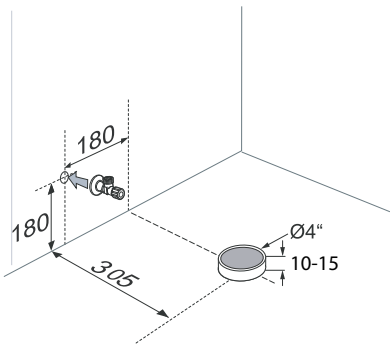


TOP VIEW

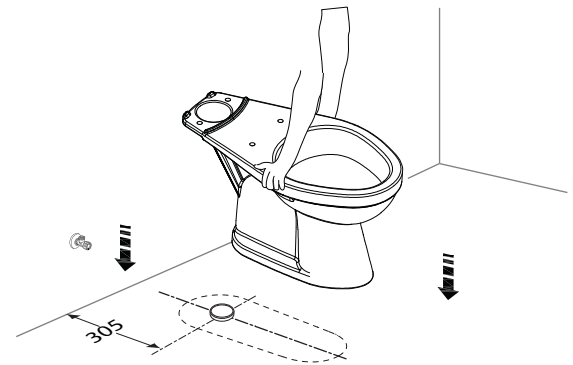




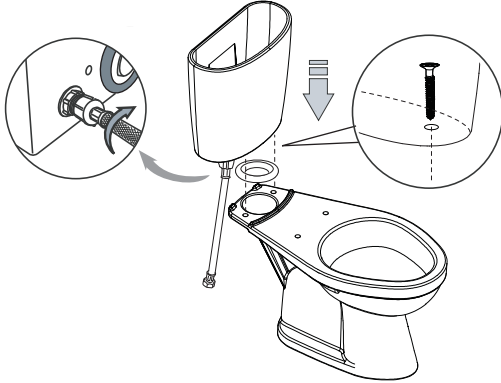
1



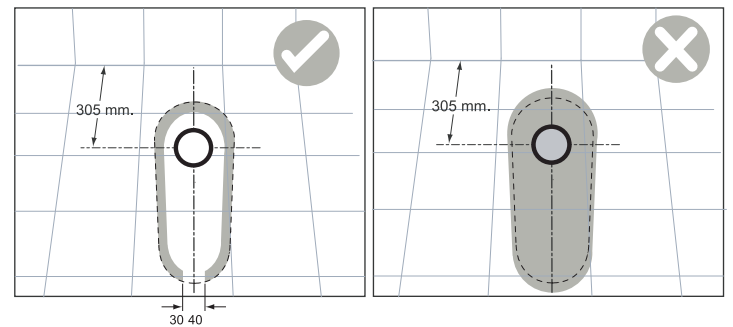
2



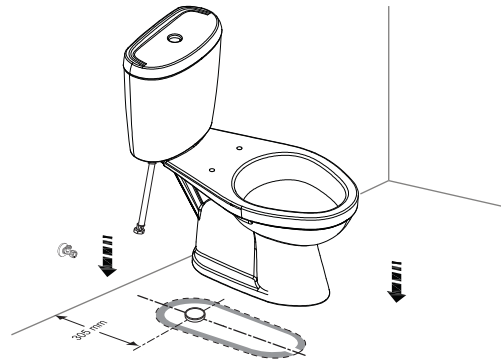
3



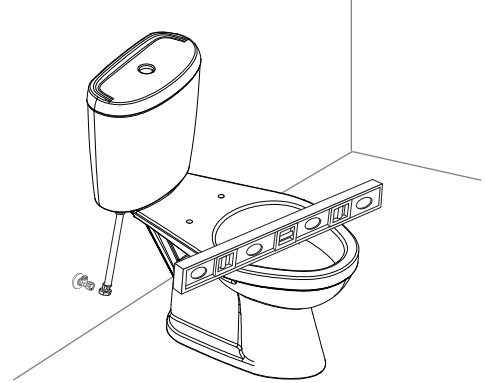
4



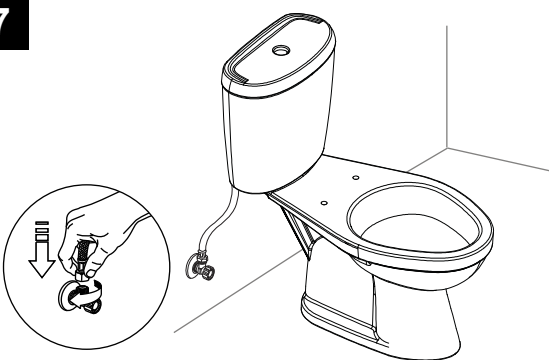
5



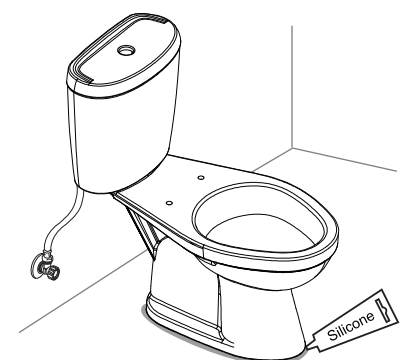
6



7



8



LIXIL CUSTOMER CARE
ศูนย์บริการลูกค้าลิซึล

American Standard

INAX

ToSTeM

LIXIL (Thailand) Public Company Limited
1/6 Moo 1, Phaholyothin Road, Km. 32 Klongluang Pathumthani 12120, Thailand
Tel. (02) 901-4455, Fax. (02) 901-4488

www.lixil.co.th

Lixil Customer Care

- Bangkok 1420 Room#210, 2nd floor, Building D, Crystal Design Center(CDC) Praditmanuthum Road, Khlongjan, Bangkokpi . Bangkok 10240
Tel. (02) 102-2222, Fax. (02) 102-2030
(Opening : 8.00 am-17.00 pm Monday-Friday)
- Chiangmai 162/6-7 Thanon Chiangmai-Lumpang, Amphur Mueng, Chiangmai 50300
Tel.(053) 218-047-8 Fax.(053)218-342
(Opening : 8.00 am-17.00 pm Monday-Saturday)
- Phuket 108/79 Thanon Chalermphakieat, Amphur Mueng, Phuket 83000
Tel.(076) 261-636-7 Fax.(076) 261-638
(Opening : 8.00 am-17.00 pm Monday-Saturday)
- Pattaya 240/18-19 Moo 6, Thanon Sukhumvit, Amphur Banglamooong, Chonburi 20150
Tel. (038) 716-710, (038) 716-820 Fax. (038) 716-663
(Opening : 8.00 am-17.00 pm Monday-Saturday)